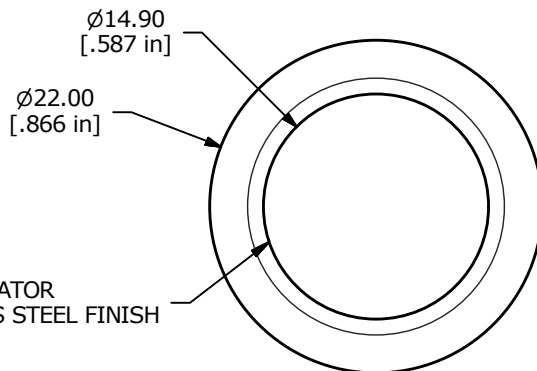
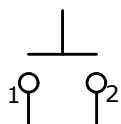


PANEL MOUNTING  
MAX. PANEL THICKNESS 8.0mm



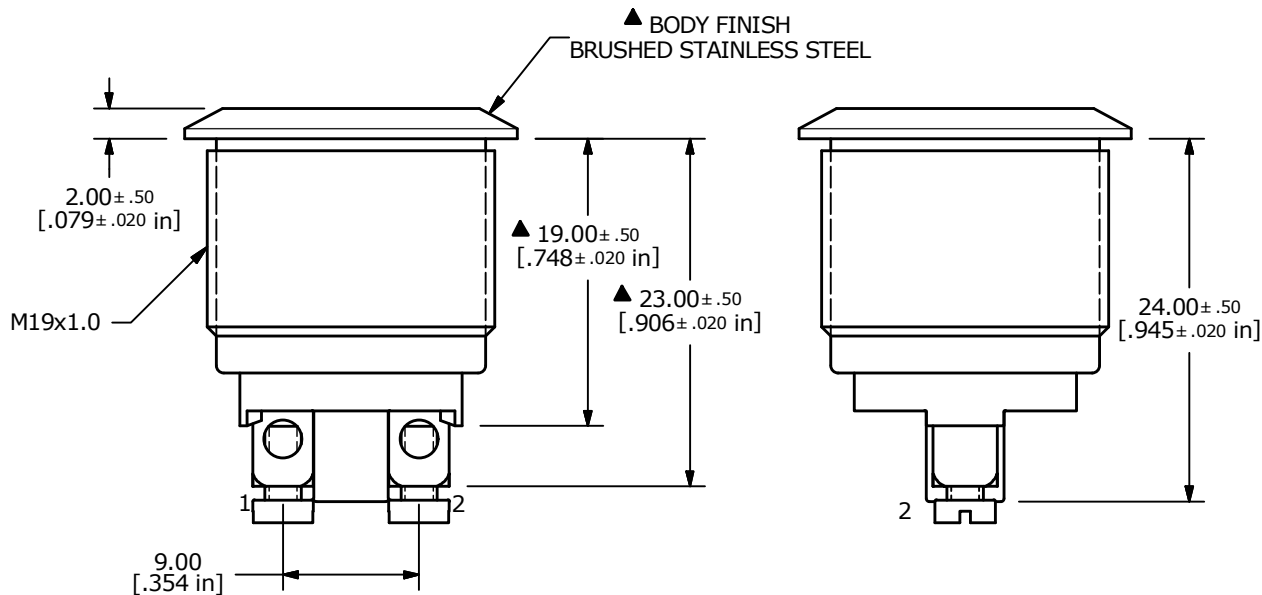
▲ FLAT ACTUATOR  
BRUSHED STAINLESS STEEL FINISH



▲ CIRCUIT: SPST

SWITCH FUNCTION	
POS. 1	POS. 2
OFF	(ON)
OPEN	1-2

(ON) = MOMENTARY



▲ BODY FINISH  
BRUSHED STAINLESS STEEL

NOTE:

1. ALL DIMENSIONS IN MM [INCH]
2. GENERAL TOLERANCE: X.X = ± 0.4  
X.XX = ± 0.25
3. TERMINAL NOS. FOR REF. ONLY
- ▲ 4. FUNCTION: SPST
- ▲ 5. RATING: 2A @ 36VDC
6. CONTACT RESISTANCE: 50mΩ MAX. @ 1A 12VDC
7. INSULATION RESISTANCE: 1,000MΩ @ 500VDC
8. DIELECTRIC STRENGTH: 2,000VAC MIN. FOR 1 MINUTE
9. ELECTRICAL LIFE: 200,000 CYCLES
10. CONTACT MATERIAL: GOLD PLATED
11. OPERATING TEMPERATURE: -20°C TO 55°C
12. INGRESS PROTECTION: IP65
13. ▲ DENOTES CRITICAL PARAMETER
- ▲ 14. HARDWARE INCLUDED: HEX NUT AND O-RING (NOT SHOWN)



B	23591	UPDATED RATING TO 2A @ 36VDC	10/5/18	MJR
A	20468	RELEASE FOR PRODUCTION	02/08/12	BMA
REV	PCR NO	DESCRIPTION	DATE	BY

TITLE PV1F640BBG				
SCALE	DATE	DR	DWG	REV
2:1	2/8/2012	BMA	52-PV1F640BBG	B

THE INFORMATION CONTAINED IN THIS DOCUMENT IS PROPRIETARY TO E-SWITCH AND IS NOT TO BE COPIED OR TRANSFERRED